



TFA D

Barrel grab with tipping device

Capacity 300 kg

The grab with tipping device is suited to lift, transport as well as tipping and emptying the barrel.

In order to tip the barrel easily, it must be picked up at the correct center of gravity.



INFO

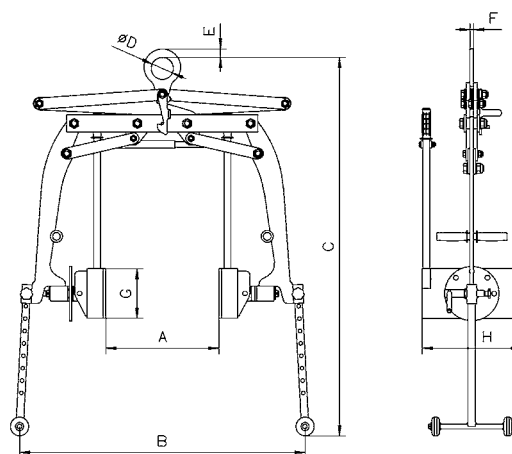
For barrels according to EN ISO 15750-2.

Technical data TFA D

Model	Art.-No.	Capacity kg	Jaw capacity Z diameter mm	Weight kg
TFA 0,3/600 D	N52203404	300	400 - 600	83

Dimensions TFA D

Model	TFA 0,3/600 D
A, mm	600
B, mm	1150
C, mm	1525
Ø D, mm	90
E, mm	34
F, mm	15
G, mm	200
H, mm	400



TFA 0,35/700 R and
TFA 0,35/700 TR
Barrel grab

Capacity 350 kg

These barrel grabs are designed for transport of steel barrels. The clamping jaws press securely with a positive fit underneath the rim of the barrel.



TFA-R



TFA-TR

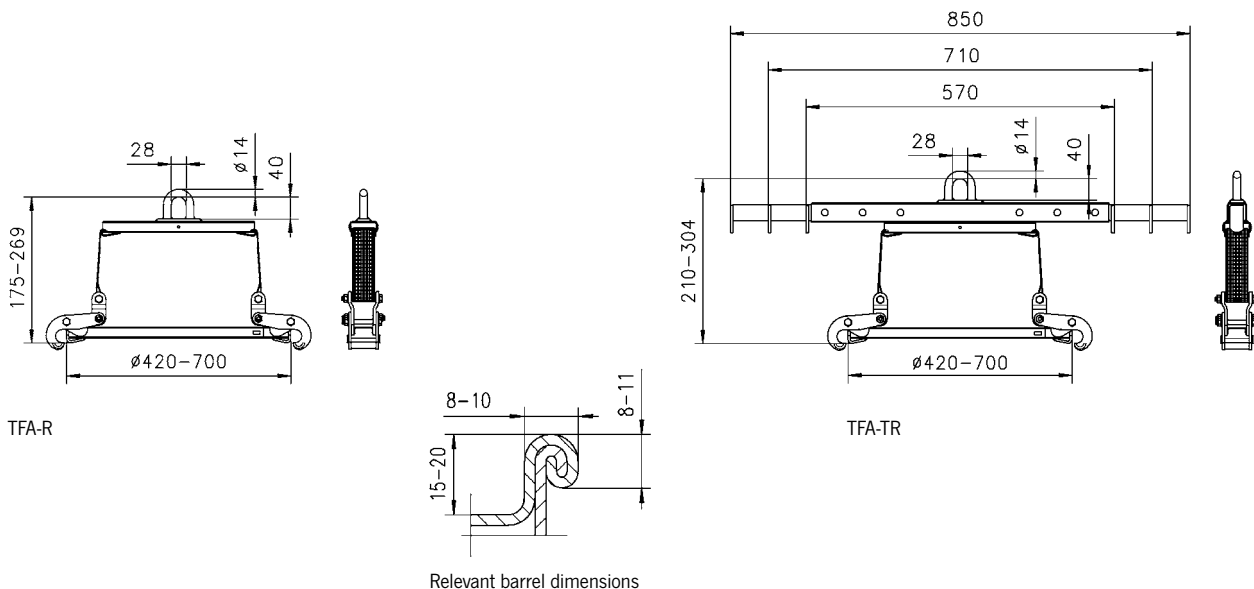
INFO

TFA 0,35/700 TR is a combination unit for the transport of barrels that can be used with either an overhead crane or forklift.

For barrels according to EN ISO 15750-2.

Technical data TFA R/TR

Model	Art.-No.	Capacity kg	Jaw capacity Z diameter mm	Weight kg
TFA 0,35/700 R	N52303561	350	420 - 700	5.7
TFA 0,35/700 TR	N52303562	350	420 - 700	9.2





TFRK Barrel rim clamp

Capacity 500 kg

The TFRK barrel rim clamp can be used individually, as a pair, or as a multi-legged chain sling.

The clamp grabs under the rim of the barrel. A spring-loaded cam prevents the accidental opening of the clamp.

INFO

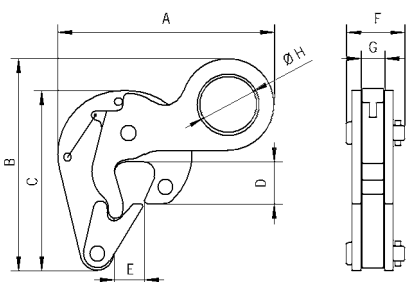
For barrels according to EN ISO 15750-2.

Technical data TFRK

Model	Art.-No.	Capacity kg	Weight kg
TFRK	N52203456	500	1.5

Dimensions TFRK

Model	TFRK 0,5
A, mm	152
B, mm	150
C, mm	127
D, mm	30
E, mm	21
F, mm	41
G, mm	17
Ø H, mm	40



TFK
Barrel clamp

Capacity 500 kg

Its light weight and small overall design makes it ideal for lifting barrels where access or space is limited.

The center of gravity of the barrel is the lifting point during transport.



INFO

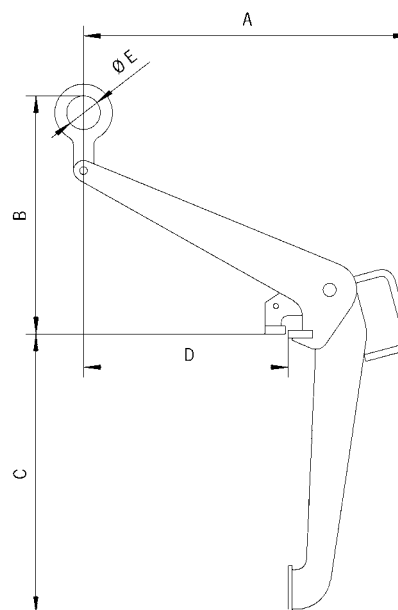
For barrels according to EN ISO 15750-2.

Technical data TFK

Model	Art.-No.	Capacity kg	Weight kg
TFK 0,5	N52203455	500	7.3

Dimensions TFK

Model	TFK 0,5
A, mm	479
B, mm	350
C, mm	410
D, mm	300
Ø E, mm	50





TKA/d Crate grab with tipping device

Capacity 150 kg

The crate grab with tipping device is an absolutely safe unit, which not only securely transports stacking boxes, but can empty them in mid-air as well.

The crate grab is very robust but still very easy to operate and complies with the relevant standards and EC directives.

A safety lever system prevents the accidental opening of the grab.

The clamping jaws tightly grab under the rim of the crate without damaging the crate. To engage the tipping motion in order to empty the crate, the safety lock must be manually unlocked. The tipping motion is limited to 120°. This prevents the crate from flipping completely over while emptying, thereby reducing the risk of injury.

Option

- Grabs for other sizes of crates.

INFO

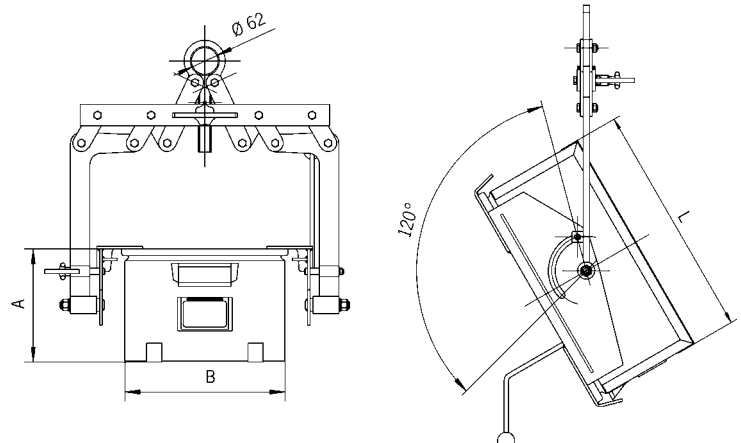
Please provide the crate dimensions or a sample crate when ordering.

Technical data TKA/d

Model	Art.-No.	Capacity kg	Weight kg
TKA 0,15/330d	N52123220	150	25.8
TKA 0,15/480d	N52123225	150	26.0

Dimensions TKA/d

Model	TKA 0,15/330d	TKA 0,15/480d
A, mm	200 - 300	300
B, mm	315 - 330	470 - 480
L, mm	465 - 540	550 - 660



**TKA a/i
Crate grab**

Capacity 250 kg

The easy-handling crate grab, which grabs on the side plates or the front sides of the crate, transports crates safely and without damaging them.

The moveable jaws press the edge of the crate gently against the outside grab support rails. Stacking boxes made of steel or plastic will not get deformed. After the box has been set down, the safety device holds the grab open.

When lifting the crate and grabbing the support rails, the safety device must be manually pulled back until it lies over the safety bolt. With further lifting, the jaws grab under the outer top edge of the crate and lift it up safely.

The crate grab is available as an external or internal operating grab.



TKA.../...a external operating



TKA.../...i internal operating



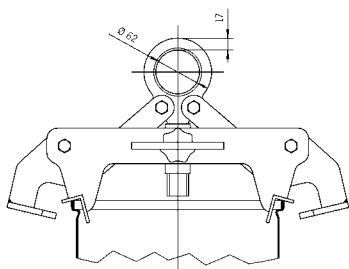
TKA.../...i internal operating

INFO

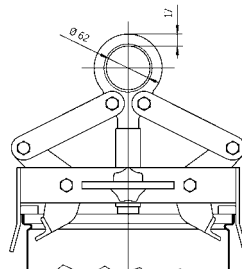
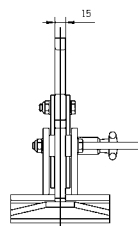
Please provide the crate dimensions or a sample crate when ordering.

Technical data TKA a/i

Model	Art.-No.	Capacity kg	Weight kg	Jaw capacity mm
TKA 0,25/320a	N52103210	250	9.3	320
TKA 0,25/480a	N52103207	250	9.3	480
TKA 0,25/600a	N52103208	250	9.3	600
TKA 0,25/320i	N52103204	250	8.5	320
TKA 0,25/480i	N52103206	250	8.5	480
TKA 0,25/600i	N52103209	250	8.5	600



TKA.../...a external operating



TKA.../...i internal operating

