



HWH 2K, 3t



HWH KS, 5t

HWH 2K PROLINE

Hydraulic car jack

-with 2 pistons

HWH 2KS PROLINE

-with 2 pistons and spindle

HWH KS PROLINE

-with piston and spindle

Capacity 2 - 30t

For lifting vehicles on one side (the lifted load must be secured mechanically with supporting stands, for example).

Features

- Versions with hydraulic piston and mechanical spindle drive resp. with two hydraulic pistons.
- With carrying bracket from load capacity 20t.
- Extremely low design with model HWH 2K/D (incl. one pressure section for lift extension).
- With integrated pressure control valve for a longer service life of the jack.
- Integrated seat valve for controlled lowering of the load.



HWH 2K NB, 10t



HWH 2KS, 10t



HWH KS, 20t

Technical data HWH 2K PROLINE and HWH 2KS PROLINE

Model	Art.-No.	Capacity t	Weight kg
HWH 2K 3,0	32301016	3	4.87
HWH 2K 5,0	32304001	5	6.3
HWH 2KS 10,0	32304002	10	8.8
HWH 2KS 12,0	32307014	12	11.0
HWH 2K NB 10,0 ¹	32306034	10	7.9
HWH 2K/D 10,0 ²	32304003	10	6.5

¹horizontal pump unit ²with replaceable pressure section (height 45 mm)

Dimensions HWH 2K PROLINE and HWH 2KS PROLINE

Model	HWH 2K 3,0	HWH 2K 5,0	HWH 2KS 10,0	HWH 2KS 12,0	HWH 2K NB 10,0 ¹	HWH 2K/D 10,0 ²
a, mm	107	98	129	185	∅	140
b, mm	90	120	164	185	127	164
c, mm	124	134	160	176	197	160
H min., mm	185	215	200	230	175	120
H max., mm	400	520	530	570	385	230
h1, mm	110	145	130	130	104	54
h2, mm	105	160	132	125	106	56
hTr, mm	-	-	68	85	-	-
∅ k, mm	60 x 35	43	40	48	43	38
l, mm	115	134	116	53	136	112
m, mm	80	90	116	133	116	116
Tr, mm	-	-	32 x 5	40 x 6	-	-
∅ z1, mm	32	39	52.58	61.5	52.5	52.5
∅ z2, mm	23	29	39.5	48.5	39.5	39.5

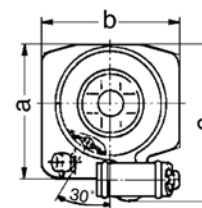
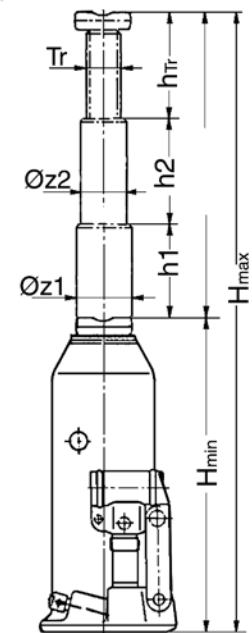
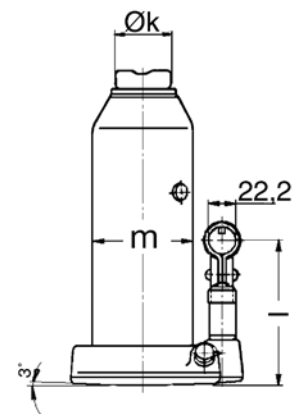
¹horizontal pump unit ²with replaceable pressure section (height 45 mm)

Technical data HWH KS PROLINE with piston and spindle

Model	Art.-No.	Capacity t	Weight kg
HWH KS 2,0	32300002	2	2.9
HWH KS 3,5	32302004	3.5	2.9
HWH KS 5,0	32303000	5	3.9
HWH KS 8,0	32305003	8	5.7
HWH KS 10,0	32306026	10	5.7
HWH KS 12,0	32307006	12	7.1
HWH KS 15,0	32308002	15	8.3
HWH KS 20,0	32309009	20	10.7
HWH KS 25,0	32310007	25	13.1
HWH KS 30,0	32311003	30	14.5

Dimensions HWH KS PROLINE with piston and spindle

Model	HWH KS 2,0	HWH KS 3,5	HWH KS 5,0	HWH KS 8,0	HWH KS 10,0	HWH KS 12,0	HWH KS 15,0	HWH KS 20,0	HWH KS 25,0	HWH KS 30,0
a, mm	34	34	38	105	105	116	121	110	122	122
b, mm	105	105	110	122	122	120	130	164	185	185
c, mm	103	103	110	124	124	134	139.5	160	176	176
H min., mm	170	170	212	220	220	230	230	240	240	240
H max., mm	377	377	462	480	480	497	495	505	515	482
h1, mm	115	115	150	150	150	157	155	155	157	142
hTr, mm	92	92	100	110	110	110	110	110	118	100
∅ k, mm	28	28	40	48	48	48	60	60	65	65
l, mm	116	113	113	116	116	116	116	116	120	116
m, mm	58	58	65	80	80	90	95	116	133	133
Tr, mm	20 x 4	20 x 4	24 x 5	32 x 5	32 x 5	35 x 6	40 x 6	45 x 6	48 x 6.35	48 x 6.35
∅ z1, mm	24.9	24.9	29.9	39.5	39.5	43.5	48.5	54.5	59.5	61.5



INFO

HWH KS PROLINE with capacity of 50t and 100t available on request.



JH Universal jacks

Capacity 2 - 50 t

Universal jacks supply high forces for general operations like lifting, pushing, moving, supporting of all kind of loads.

Features

- Robust, long life design.
- Pressure relief valve
- Precise controlled lowering.
- Additional screw extension of the piston (up to 20 t).
- Grooved saddle.
- Large base plates for increased stability.
- JH-50-2 with two-stage pump.
- Incl. operating lever.



JH-50-2

Technical data JH

Model	Art.-No.	Capacity t	Stroke mm	Additional screw extension mm	Closed height mm	Base plate mm	Pump	Weight kg
JH-2 B	N13300003	2	115	50	181	90 x 95	single-stage	2.7
JH-4 B	N13300004	4	126	60	205	115 x 110	single-stage	3.7
JH-6 B	N13300005	6	130	75	219	115 x 110	single-stage	4.7
JH-8 B	N13300006	8	152	70	225	120 x 120	single-stage	5.7
JH-12 B	N13300007	12	153	80	240	140 x 130	single-stage	8.0
JH-20 B	N13300008	20	153	80	240	160 x 155	single-stage	11.0
JH-30	N13300408	30	180	-	280	210 x 180	single-stage	22.0
JH-50-2	N13300893	50	178	-	305	255 x 190	two-stage	53.0

MH Machine jack

Capacity 5 - 25 t

For lifting heavy machinery and other loads.

Features

- Can be used in every position.
- Lifting by means of a hand pump.
- Lowering by means of a precision lowering valve.
- With carrying handle for MH 50 and MH 100.
- With carriage for MH 250.
- Pressure control valve for a longer service life of the jack.
- Integrated lifting limitation.
- Low application height of the claw.
- Slewing claw (MH 50 and MH 100)
- Large base plate for a high level of stability.
- Stable construction with hard-chromium plated piston rod.

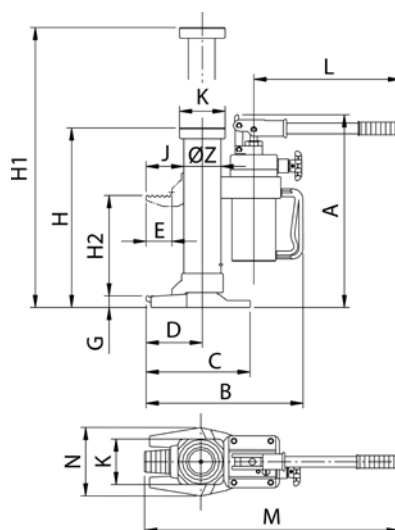


Technical data MH

Model	Art.-No.	Capacity t	Stroke mm	Application height min. with claw mm	Application height min. with head mm	Pump lever force with full load daN	Weight kg
MH 50	40014771	5	205	25	≤ 368	38	25
MH 100	40014772	10	230	30	≤ 420	40	35
MH 250	40014773	25	215	58	≤ 505	40	109

Dimensions MH

Model	MH 50	MH 100	MH 250
A, mm	393	449	-
B, mm	320	325	459
C, mm	213	205	420
D, mm	115	120	220
E, mm	53	55	90
G, mm	25	30	58
H, mm	368	420	505
H1, mm	573	650	720
H2, mm	205	230	215
J, mm	77	74.5	142.5
K, mm	93	108	175
L, mm	520	520	920/840
M, mm	740	745	1305/1225
N, mm	140	170	210/283
Ø Z, mm	76	91	155





HWPHP Workshop press with hydraulic hand pump

Capacity 15 - 50t

Suitable for pressing bearings and bushes in and out, pressing and bending components, for straightening shafts and alignment work.

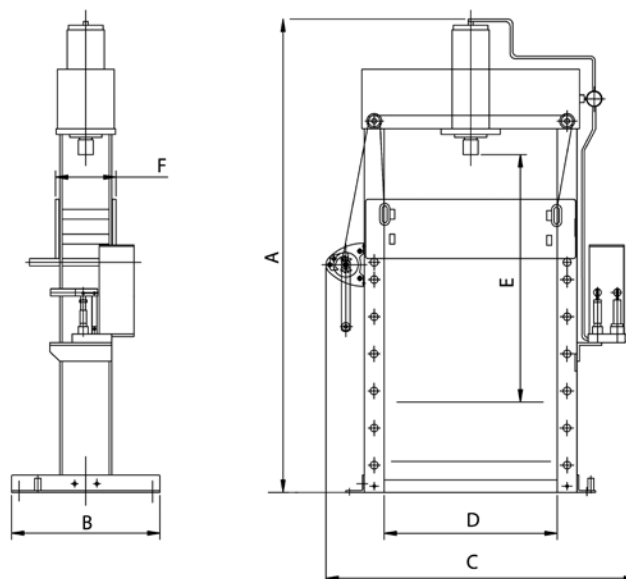
Features

- Versions for 15t and 20t with supporting plate, prism set and centering device (accessories optional for higher tonnages).
- Fitted with two-stage hand pump.
- With manometer as standard.
- With hand cable winch for table adjustment (from model HWPHP 30).

INFO

Intended use:

A workshop press/straightening press is a press with a slow closing speed of 25 mm/s and a maximum pressing capacity of 10 full load/full lift presses per hour.



Technical data HWPHP

Model	HWPHP 15	HWPHP 20	HWPHP 30	HWPHP 40	HWPHP 50
Art.-No.	40012730	40012731	40012732	40012733	40012734
Capacity, t	15	20	30	40	50
Operating pressure, bar	240	320	250	330	330
Lifting height, mm	190	190	190	190	190
Total height A, mm	1870	1870	1920	2010	2030
Total depth B, mm	500	500	600	780	850
Total width C, mm	940	940	1260	1335	1350
Clear working width D, mm	550	550	700	775	775
Clear working height E, mm	940	940	1000	1125	1155
Table width F, mm	185	185	245	258	304
Weight, kg	160	160	250	310	420

HWPEP Workshop press with hydraulic electric pump

Capacity 30 - 100t

Compressed productivity in press form for repair and assembly work. This is what the workshop press offers with its reliable single- or two-stage electric pump and pressing power of up to 100 tons. Whether you are pressing bearings and bushes in and out, straightening axles, beams and shafts, or bending, pressing or setting up tools ...

The high performance of this press is based on optimized technology. For example, the press comes with a high pressure unit with a manometer, a control valve and three-way valve, an adjustable pick-up table and high-quality pistons made of chrome-plated hardened and tempered special steel.

Features

- Fitted with single- or two-stage electric pump.
- With manometer as standard.
- With hand cable winch for table adjustment.



With hand cable winch for table adjustment

At all models HWPHP and HWPEP as of 30t as standard

INFO

Accessories available as options, please see page 429.

Units with pressing power of 150/200/300t on request.

Technical data HWPEP with one-stage electric pump

Model	HWPEP-1 30	HWPEP-1 40	HWPEP-1 50	HWPEP-1 100
Art.-No.	40012735	40012736	40012737	40012738
Capacity, t	30	40	50	100
Operating pressure, bar	250	330	330	320
Lifting height, mm	260	260	260	300
Total height A, mm	1880	2010	2030	2170
Total depth B, mm	660	780	850	1000
Total width C, mm	1240	1315	1410	1700
Clear working width D, mm	700	775	775	1000
Clear working height E, mm	1000	1125	1155	1075
Table width F, mm	245	258	300	415
Closing speed, mm/s	5.1	5.1	4.1	2.9
Motor	400V/1.5 kW			400V/3 kW
ED, %	S 3-30% ¹			
Weight, kg	280	340	450	920

Technical data HWPEP with two-stage electric pump

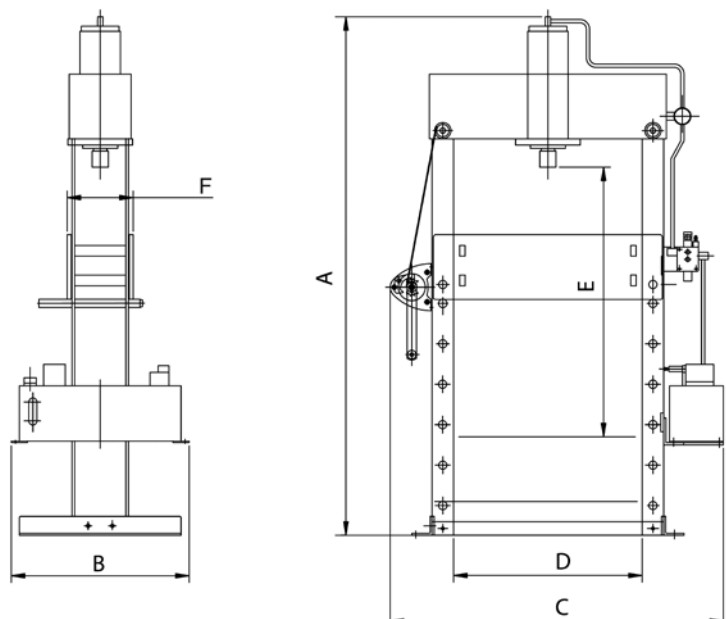
Model	HWPEP-2 30	HWPEP-2 40	HWPEP-2 50	HWPEP-2 100
Art.-No.	40012739	40012740	40012741	40012742
Capacity, t	30	40	50	100
Operating pressure, bar	250	330	330	320
Lifting height, mm	260	260	260	300
Total height A, mm	1880	2010	2030	2170
Total depth B, mm	660	780	850	1000
Total width C, mm	1240	1315	1460	1700
Clear working width D, mm	700	775	775	1000
Clear working height E, mm	1000	1125	1155	1075
Table width F, mm	245	258	300	415
Closing speed, mm/s – 1 st stage	25	25	25	25
Closing speed, mm/s – 2 nd stage	4.2	4.2	3.3	2.9
Motor	400V/2.2 kW			400V/3 kW
ED, %	S 3-30% ¹			
Weight, kg	280	340	450	920

¹ maximum pressing capacity of 10 full load/full lift presses per hour

INFO

Intended use:

A workshop press/straightening press is a press with a slow closing speed of 25 mm/s and a maximum pressing capacity of 10 full load/full lift presses per hour.

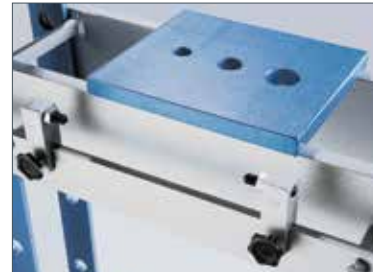


Accessories for workshop presses HWPHP and HWPEP

Technical data accessories - supporting plate

Art.-No.	suitable for workshop press	Length mm	Width mm	Bore hole diameter mm
-	15/20t ¹	240	240	20/25/35
40005478	30/40t	240	290	20/25/35
40005479	50t	350	320	20/25/35
40005480	100t	420	300	20/25/35

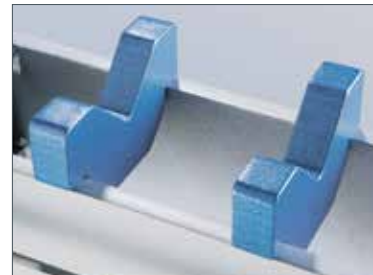
¹included in scope of delivery



Technical data accessories - prism set

Art.-No.	suitable for workshop press	Length mm	Width mm
-	15/20t ¹	195	110
40005482	30/40t	265	140
40005483	50t	300	160
40005484	100t	425	240

¹included in scope of delivery



Technical data accessories - centering device

Art.-No.	suitable for workshop press	Length mm
-	15/20t ¹	650
40005485	30t	650
40005486	40/50t	900
40005487	100t	1200

¹included in scope of delivery



Technical data accessories - pressing pin set

Art.-No.	suitable for workshop press	Version	Diameter mm
40005488	15 - 40t	6-part	12, 14, 16, 18, 20, 22
40005489	15 - 40t	8-part	12, 14, 16, 18, 20, 22, 25, 30
N040005490	50 - 100t	6-part	12, 14, 16, 18, 20, 22
N040005491	50 - 100t	8-part	12, 14, 16, 18, 20, 22, 25, 30





HRH P PROLINE Hydraulic service jack

Capacity 2 - 15 t

For lifting vehicles on one side (the lifted load must be secured mechanically with supporting stands, for example) and for lifting vehicles with a small ground clearance.

Features

- Quick-lift function as standard
- Controlling, lifting and lowering via the draw bar
- Integrated pressure control valve for a longer service life of the jack.



Technical data HRH P PROLINE

Model	Art.-No.	Quick lift	Capacity t	Höhe min. mm	Height max. mm	Dimensions max L x W x H mm	Weight kg
HRH P 2,0	32345006	X	2	80	500	730 x 340 x 160	36
HRH P 2,0 L ²	32345005	X	2	90	500	950 x 340 x 126	41
HRH P 3,0 H ¹	32346028	X	3	130	860	1620 x 460 x 210	88
HRH P 4,0	32346001	X	4	145	560	1270 x 465 x 200	70
HRH P 6,0	32347016	X	6	155	570	1395 x 470 x 210	90
HRH P 8,0 H ¹	40016051	X	8	180	960	1830 x 475 x 350	160
HRH P 10,0	32348004	X	10	170	670	1700 x 470 x 280	136
HRH P 15,0	32349019	X	15	200	600	1790 x 475 x 325	162

H¹ = Lift-up jack L² = long

HRH S SILVERLINE Hydraulic service jack

Capacity 2 - 5 t

For lifting vehicles on one side (the lifted load must be secured mechanically with supporting stands, for example).

Features

- Quick-lift function as standard
- Integrated pressure control valve for a longer service life of the jack.
- Lockable pump lever



Technical data HRH S SILVERLINE

Model	Art.-No.	Quick lift	Capacity t	Height min. mm	Height max. mm	Dimensions max L x W x H mm	Weight kg
HRH S 2,0 L	40008532	X	2	140	800	1350 x 430 x 190	75
HRH S 3,0 L	40008533	X	3	125	605	1310 x 320 x 185	70
HRH S 5,0 L	40008534	X	5	145	560	1420 x 350 x 198	95



UB Supporting stand

Capacity 2 - 12 t

For mechanical support of lifted loads and for jacking-up loads which must be held for a long period of time.

Features

- Stamp with six height adjustments, locking with pin and cotter pin. For capacities above 12 t adjustment through threaded spindle.
- High level of stability.

Technical data UB

Model	Art.-No.	Capacity t	Height min. mm	Height max. mm	Height adjustment mm	Raster points	Spread angle	Weight kg
UB 2H	192019922	2	505	755	250	5	3 x 120°	6.6
UB 3	192019936	3	346	510	164	5	3 x 120°	4.7
UB 5	192019941	5	406	567	161	5	3 x 120°	7.2
UB 8	192019946	8	424	633	209	5	3 x 120°	11.5
UB 8H	192019951	8	605	870	265	6	3 x 120°	15.0
UB 12S	192019953	12	320	500	180	spindle	4 x 90°	11.6
UB 12HS	192019954	12	475	725	250	spindle	4 x 90°	15.0

HAW S Hydraulic repair set

Pressing power 4 and 10 t

A useful tool for repairs on car/truck bodies for quick planishing, spreading and pressing with high loads.

Features

- Available in two versions for 4 t and 10 t.
- All parts are packed in a stable plastic case.



Technical data HAW S

Model	Art.-No.	Pressing power t	Cylinder stroke mm	Weight kg
HAW S 4,0	32453025	4	127	20.5
HAW S 10,0	32457050	10	152	34.5