



Explosion-proof version corresponds to Basic.

CPA Pneumatic chain hoist with suspension hook

Capacity 125 - 980 kg

Pneumatic chain hoists are characterized by high durability in a great number of industrial applications. The robust but light weight housing allows an easy transport.

Features

- Working pressures 5 - 7 bar.
- Rotating piston motor with 100% duty rating and an unlimited number of starts for continuous operation.
- Integrated limit switches for highest and lowest hook position as standard.
- Self-adjusting automatic disc brake.
- Extremely sensitive control with emergency-stop for a precise positioning of the load.
- Air release for brake as standard for model CPA 10-9

Options

- Maintenance unit for main air supply pipe (pressure regulator, manometer, lubricator and support).
- Chain container

Applications

Automobile and aircraft industries, shipyards, on ships and docks. Foundries, on-/offshore, paint factories and paint shops, refineries, oil depots, galvanizing. Printing, textile and food industries, pulp, paper and cement mills. Glass and ceramic industries, wood working industries, chemical industries, heat treatment and power plants etc.

INFO

To ensure faultless operation the compressed air supply must be filtered and oiled!

Also suitable for operation with nitrogen.

Yale hoists and trolleys are not designed for passenger elevation applications and must not be used for this purpose.

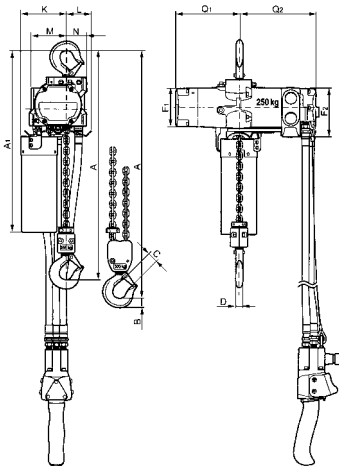
Technical data CPA

Model	Art.-No.	Capacity in kg/ Number of chain falls	Chain dimensions d x p mm	Classification FEM/ISO	Lifting speed with rated load ¹ m/min	Lifting speed without load ¹ m/min	Lowering speed with rated load ¹ m/min	Air consumption with rated load ¹ m ³ /min	Hoist motor kW	Weight at standard lift (3 m) kg
CPA 1-13	N08501007	125/1	4 x 12.2	1 Am/M4	13.1	17.1	11.3	0.9	0.4	15.4
CPA 2-10	N08501008	250/1	4 x 12.2	1 Am/M4	9.8	17.1	13.7	0.9	0.4	15.4
CPA 5-5	N08501010	500/2	4 x 12.2	1 Am/M4	4.6	7.9	6.7	0.9	0.4	17.2
CPA 10-9	N08501012	980/2	6.3 x 19.5	1 Bm/M3	8.5	16.2	14.9	2.1	1.33	27.7

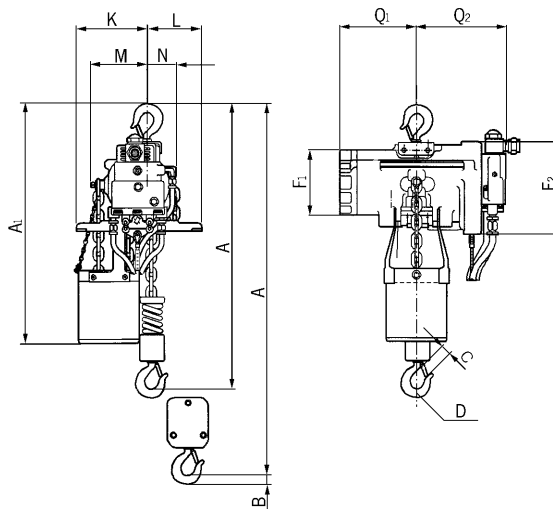
¹ Values for 6.3 bar flow pressure and 2 m control drop. Speeds will be reduced in case of longer control length.
 CPA 1-13, CPA 2-10 and CPA 5-5 max. hose length 12 m, air supply 3/8" NPT, air consumption 0.9 m³/min.
 CPA 10-9 max. hose length 20 m, air supply 1/2" NPT, air consumption 2.1 m³/min.

Dimensions CPA

Model	CPA 1-13	CPA 2-10	CPA 5-5	CPA 10-9
A, mm	292	292	324	457
A1, mm	410	410	410	508
B, mm	21	21	14	27
C, mm	20	20	24	28
D, mm	16	16	14	28
F1, mm	90	90	90	130
F2, mm	120	120	120	180
K, mm	103	103	103	165
L, mm	57	57	57	83
M, mm	120	120	120	135
N, mm	50	50	50	25
Q1, mm	142	142	142	162
Q2, mm	183	183	183	181



CPA 1-13 / 2-10 / 5-5



CPA 10-9



Image shows
BASIC design

CPA ATEX Basic Pneumatic chain hoist with suspension hook or with integrated trolley

Capacity 2000 - 10000 kg

With 100% duty rating and an unlimited number of starts the model CPA is suitable for heavy duty applications. It is insusceptible to contamination, humidity and aggressive mediums from the outside.

The hoists are composed of three main components which makes service easy and inexpensive.

Features

- Working pressures 4 - 6 bar.
- Robust rotating piston motor has an adjustable spring pressure brake that holds the load secure even in the event of an air failure.
- The standard, oil bath lubricated planetary gearbox is particularly smooth running and enables a low overall height.
- High starting torque due to switching valves in the motor body.
- Low noise emission due to large dimension silencer.
- Sensitive control by means of 2 resp. 4 button pendant control with emergency-stop.
- The assembly of component parts result in a low overall height (up to 3000 kg only one chain fall).
- The 5-pocket load chain sheave, manufactured from wear resistant case hardening steel, is matched perfectly to the load chain to guarantee smooth and precise chain motion.
- Forged suspension and load hooks are made from non-aging, high tensile steel and fitted with robust safety latches.
- The standard case hardened and zinc-plated link chain is matched perfectly to the load chain to guarantee smooth and precise chain motion.

All requirements of national and international standards and regulations are fulfilled.

Options

- Also available in combination with trolleys, both trolley/hook suspension and with integrated trolley. Also applies to ATEX.
- Rope control
- Limit switch
- Chain container
- Maintenance unit, consisting of pressure regulator, pressure gauge, lubricator and holder
- Mobile maintenance unit
- Stainless steel load chain.

INFO

To ensure faultless operation the compressed air supply must be filtered and oiled!

Also suitable for operation with nitrogen.

Where no maintenance unit can be installed permanently, it is recommended to work with a mobile maintenance unit.

Information for load chain see pages 82-84 please.

Technical data CPA ATEX Basic

Model	Art.-No.	Capacity in kg/ Number of chain falls	Chain dimensions d x p mm	Classification FEM/ISO	Lifting speed with rated load ¹ m/min	Lifting speed without load ¹ m/min	Lowering speed with rated load ¹ m/min	Hoist motor kW
CPA ATEX 20-8	N08505001	2000/1	11.3 x 31	1 Bm/M3	7.4	9.9	11.0	2.6
CPA ATEX 30-6	N08505002	3000/1	11.3 x 31	1 Bm/M3	6.0	9.9	13.0	3.2
CPA ATEX 50-3	N08505004	5000/2	11.3 x 31	1 Am/M4	3.4	5.0	6.0	3.0
CPA ATEX 60-3	192069175	6000/2	11.3 x 31	1 Am/M4	3.0	5.0	6.5	3.2
CPA ATEX 75-2	N08505005	7500/3	11.3 x 31	1 Am/M4	2.0	3.3	4.3	3.2
CPA ATEX 100-3	N08505006	10000/4	11.3 x 31	1 Am/M4	3.4	5.0	6.0	2 x 3.0

¹Values at 6 bar flow pressure and 2 m control hose. Air consumption at nominal load 4.7 m³/min. For CPA 100-3 = 9.4 m³/min, air connection R1". Quick exhaust valves are installed from 11 m upwards, max. hose length 20 m.

Model	Art.-No.	Weight ² suspension hook kg	Weight ² geared trolley kg	Weight ² pneumatic trolley kg
CPA ATEX 20-8	N08505001	121	188	199
CPA ATEX 30-6	N08505002	121	188	199
CPA ATEX 50-3	N08505004	140	206	218
CPA ATEX 60-3	192069175	140	206	218
CPA ATEX 75-2	N08505005	on request	on request	on request
CPA ATEX 100-3	N08505006	on request	on request	on request

²Weight for standard lift 3 m HOL. Other lifting heights on request.

INFO

Yale hoists and trolleys are not designed for passenger elevation applications and must not be used for this purpose.

INFO

Also available in Medium, High design on request.



We are pleased to send you our new ATEX catalogue in PDF format.

Image shows MEDIUM design incl. rope control



Application with pneumatic trolley



Mobile maintenance unit

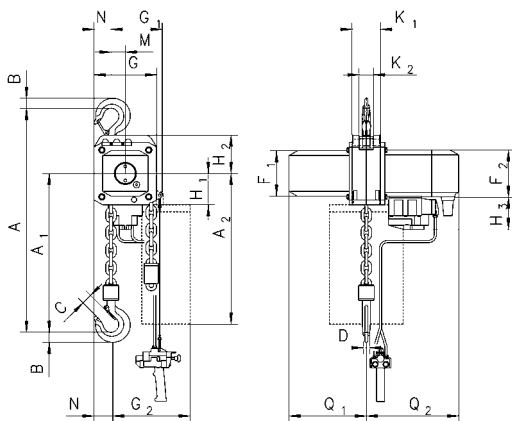
Technical data trolleys

Capacity kg	Size	Beam flange width b mm	Beam flange thickness t max. mm	Curve radius min. m	Pneumatic trolley travel speed m/min	Pneumatic trolley motor kW
2000 - 6000	A	98 - 180	27	2.0	18	0.55
2000 - 6000	B	180 - 300	27	1.8	18	0.55
7500 - 10000	B	125 - 310	40	1.8	-	-

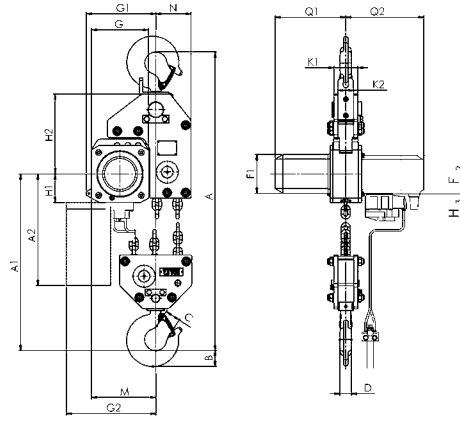
Flow pressure 6 bar, air consumption with rated load 0.75 m³/min, air connection R½".

Dimensions CPA

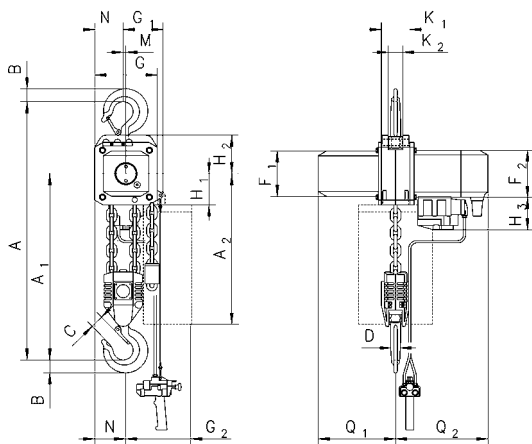
Model	CPA 20-8	CPA 30-6	CPA 50-3	CPA 60-3	CPA 75-2	CPA 100-3
A, mm	516	516	681	681	950	1068
A1, mm	286	286	428	428	479	651
B, mm	35	35	45	47	60	60
C, mm	37	37	46	42	52	52
D, mm	24	24	30	30	40/45	40/45
F1, mm	160	160	160	160	160	160
F2, mm	165	165	165	165	165	165
G, mm	220	220	220	220	220	581
G1, mm	180	180	140	140	268	311
G2 (13 m), mm	258	258	218	218	-	-
G2 (21 m), mm	278	278	238	238	345	408
H1, mm	110	110	110	110	110	110
H2, mm	135	135	135	135	307	256
H3, mm	115	115	115	115	115	115
K1, mm	100	100	100	100	92	92
K2, mm	51	51	51	51	62	62
M, mm	50	50	9,6	9,6	139	181
N, mm	60	60	100	100	136	291
Q1, mm	272	272	272	272	272	272
Q2, mm	325	325	325	325	325	325



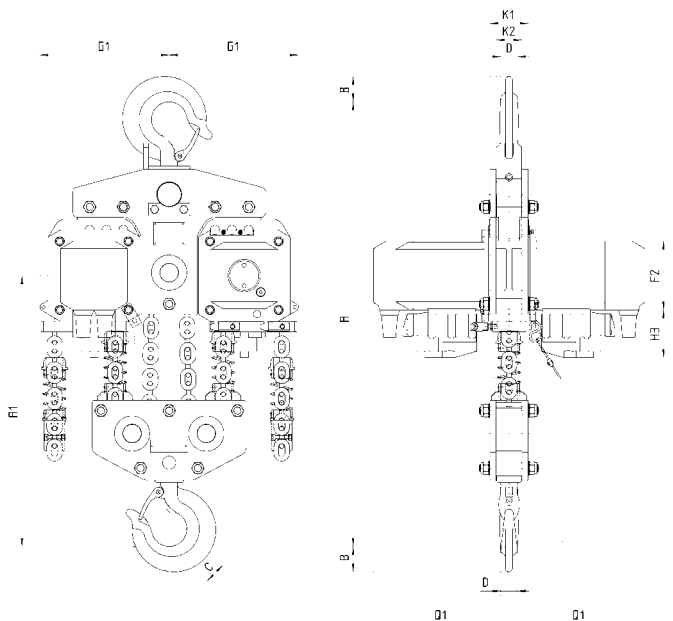
CPA with suspension hook, 2000 - 3000kg, single fall



CPA with suspension hook, 7500 kg, three chain falls



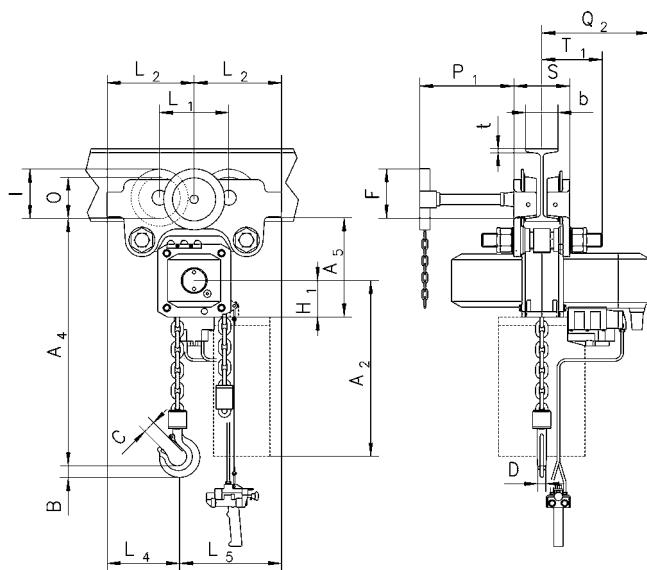
CPA with suspension hook, 4000 - 5000kg, double fall



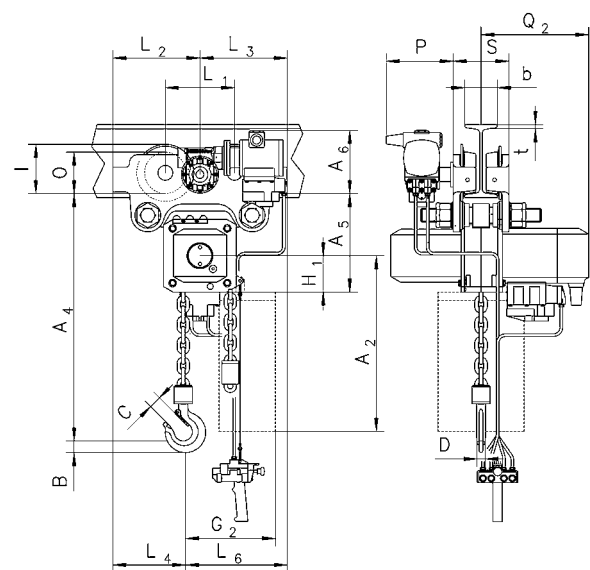
CPA with suspension hook, 10000kg, four chain falls

Dimensions CPA

Model	CPA 20-8	CPA 30-6	CPA 50-3	CPA 60-3	CPA 75-2	CPA 100-3
A2 (13 m), mm	430	430	430	430	-	-
A2 (21 m), mm	530	530	530	530	530	530
A4, mm	465	465	615	615	855	965
A5, mm	298	298	298	298	477	425
A6, mm	190	190	190	190	182	182
b, mm	A = 98 - 180/ B = 180 - 300	A = 98 - 180/ B = 180 - 300	A = 98 - 180/ B = 180 - 300	A = 98 - 180/ B = 180 - 300	125 - 310	125 - 310
F, mm	150	150	150	150	113	113
l, mm	142.5	142.5	142.5	142.5	130	130
L1, mm	209	209	209	209	200	200
L2, mm	262.5	262.5	262.5	262.5	215	215
L3, mm	265	265	265	265	265	265
L4, mm	213	213	253	253	291	291
L5, mm	312	312	272	272	-	-
L6, mm	315	315	275	275	-	-
O, mm	125	125	125	125	150	150
P, mm	208	208	208	208	208	208
P1, mm	284	284	284	284	284	284
S, mm	b + 70	b + 70	b + 70	b + 70	b + 98	b + 98
t, mm	27	27	27	27	40	40
T1 size A	182	182	182	182	-	-
T1 size B	242	242	242	242	270	270



CPA with integrated manual geared trolley



CPA with integrated pneumatic trolley