



**HU 25-115 TS SILVERLINE**  
Hand pallet truck  
(Tandem rollers)

**HU 25-115 ES SILVERLINE**  
Hand pallet truck  
(Single rollers)

Capacity 2500 kg

For the professional transportation of palletised goods and box pallets under demanding conditions.

**Features**

- Ergonomic safety control handle for one-hand operation of lifting, driving and lowering.
- Ergonomic rubber control handle for safe handling.
- Low maintenance hydraulic pump with hard chromium plated piston.
- Frame and forks in robust steel construction, adjustable connecting rods, especially hardened axles and the high quality powder coating ensure a long life expectancy.



Option: Parking brake

**Technical data HU 25-115 TS SILVERLINE and HU 25-115 ES SILVERLINE**

Model	HU 25-115 TS	HU 25-115 TS	HU 25-115 TS	HU 25-115 TS	HU 25-115 TS	HU 25-115 ES
Art.-No.	N21225460	N21225461	N21225462	N21225463	N21225464	N21225220
Capacity, kg	2500	2500	2500	2500	2500	2500
Load center c, mm	600	600	600	600	600	600
Weight, kg	70	68	69	65	70	67
Tyre type <sup>1</sup>	VG/PA	VG/PUR	PUR/PUR	PA/PA	PUR/PA	VG/PUR
Steering rollers, mm	200 x 50	200 x 50	200 x 50	200 x 50	200 x 50	200 x 50
Load rollers, mm	80 x 70	80 x 70	80 x 70	80 x 70	80 x 70	80 x 93
Number of wheels/load rollers	2/4	2/4	2/4	2/4	2/4	2/2
Stroke h3, mm	115	115	115	115	115	115
Height of control handle h14, mm	1230	1230	1230	1230	1230	1230
Fork height lowered h13, mm	85	85	85	85	85	85
Overall length L1, mm	1555	1555	1555	1555	1555	1555
Fork height s, mm	48	48	48	48	48	48
Fork width e, mm	160	160	160	160	160	160
Fork length l, mm	1150	1150	1150	1150	1150	1150
Outside dimension of forks b1, mm	540	540	540	540	540	540
Inside dimension of forks b3, mm	220	220	220	220	220	220
Ground clearance m1, mm	37	37	37	37	37	37
Aisle width pallet Ast, mm	1793	1793	1793	1793	1793	1793
Turning circle radius Wa, mm	1275	1275	1275	1275	1275	1275

<sup>1</sup>PA... Polyamide, PUR... Polyurethane, VG... Solid rubber

## HU 20-115 VATP PROLINE Hand pallet truck stainless steel version

Capacity 2000 kg

For the professional transportation of palletised goods in corrosive areas.

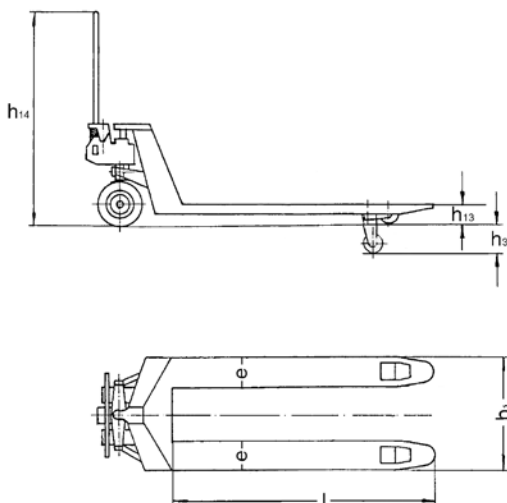
### Features

- Ergonomic safety control handle for one-hand operation of lifting, driving and lowering.
- Low maintenance high performance hydraulic pump with hard chromium plated piston and pressure relief valve. Hydraulic unit made of stainless steel resp. bronze (HU 25-115 VATP).
- Frame, adjustable connecting rods, bolts and the torsion tube are made of high quality stainless steel.
- Steering angle of 105 degree to each side for easy handling in confined spaces.



## INFO

The operator is responsible for an analysis of the working conditions in order to assess the suitability of the hand pallet truck.



### Technical data HU stainless steel version

Model	HU 20-115 VATP
Art.-No.	40005740
Material	V4A/316
Capacity, kg	2000
Weight, kg	86
Tyre type <sup>1</sup>	PA/PA
Steering rollers, mm	200 x 50
Load rollers, mm	82 x 70
Stroke h3, mm	115
Height of control handle h14, mm	1200
Fork height lowered h13, mm	85
Fork width e, mm	160
Fork length l, mm	1150
Outside dimension of forks b1, mm	540

<sup>1</sup>PA... Polyamide



**Hand pallet truck SILVERLINE with a smaller or a wider loading width**

**Capacity 1500 - 2500 kg**

For the professional transportation of special pallets, e.g. brickyard pallets or american pallets.

**Features**

- Ergonomic safety control handle for one-hand operation of lifting, driving and lowering.
- Ergonomic rubber control handle for safe handling.
- Low maintenance high performance hydraulic pump with hard chromium plated piston and pressure relief valve.
- Frame and forks in robust steel construction, adjustable connecting rods, especially hardened axles and the high quality powder coating ensure a long life expectancy.
- Steering angle of 105 degree to each side for easy handling in confined spaces.

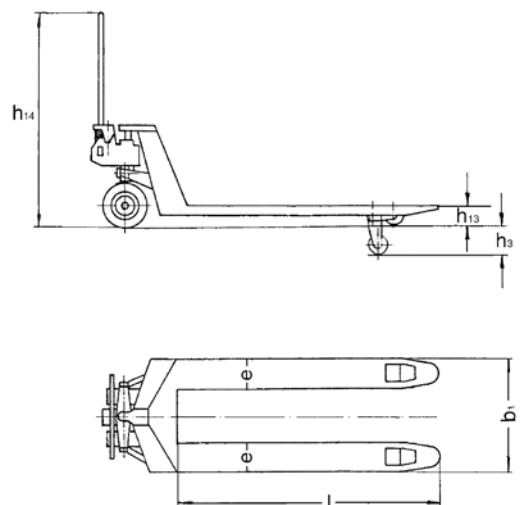


Option: Parking brake

**Technical data hand pallet truck SILVERLINE**

Model	HU 15-115 TP	HU 20-115 BTS	HU 25-115 BTS
Art.-No.	40006498	34527132	N21225457
Capacity, kg	1500	2000	2500
Weight, kg	80	86	73
Tyre type <sup>1</sup>	PUR/PUR	VG/PUR	VG/PUR
Steering rollers, mm	200 x 50	200 x 50	200 x 50
Load rollers, mm	82 x 70	82 x 70	80 x 70
Stroke h3, mm	115	115	115
Height of control handle h14, mm	1200	1200	1230
Fork height lowered h13, mm	85	85	85
Fork width e, mm	160	160	160
Fork length l, mm	1150	1150	1150
Outside dimension of forks b1, mm	450	850	685

<sup>1</sup>PUR... Polyurethane, VG... Solid rubber



## HU 15-115 FTP PROLINE Hand pallet truck with low height forks

**Capacity 1500 kg**

For the professional transportation of particularly low pallets.

### Features

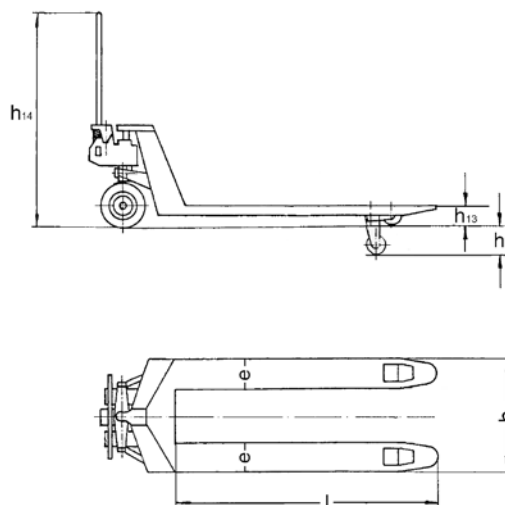
- Ergonomic safety control handle for one-hand operation of lifting, driving and lowering.
- Ergonomic rubber control handle for safe handling.
- Low maintenance high performance hydraulic pump with hard chromium plated piston and pressure relief valve.
- Frame and forks in robust steel construction, adjustable connecting rods, especially hardened axles and the high quality powder coating ensure a long life expectancy.
- Pallet entry height of only 51 mm for easy entry in particularly low pallets.
- Steering angle of 105 degree to each side for easy handling in confined spaces.



### Technical data HU 15-115 FTP

Model	HU 15-115 FTP
Art.-No.	34527124
Capacity, kg	1500
Weight, kg	84
Tyre type <sup>1</sup>	PUR/PA
Steering rollers, mm	180 x 50
Load rollers, mm	50 x 70
Stroke h3, mm	115
Height of control handle h14, mm	1200
Fork height lowered h13, mm	51
Fork width e, mm	160
Fork length l, mm	1150
Outside dimension of forks b1, mm	540

<sup>1</sup>PUR... Polyurethane, PA... Polyamide



## Hand pallet truck PROLINE with short forks

**Capacity 2500 kg**

For the professional transportation of short palletised goods and box pallets under demanding conditions.

### Features

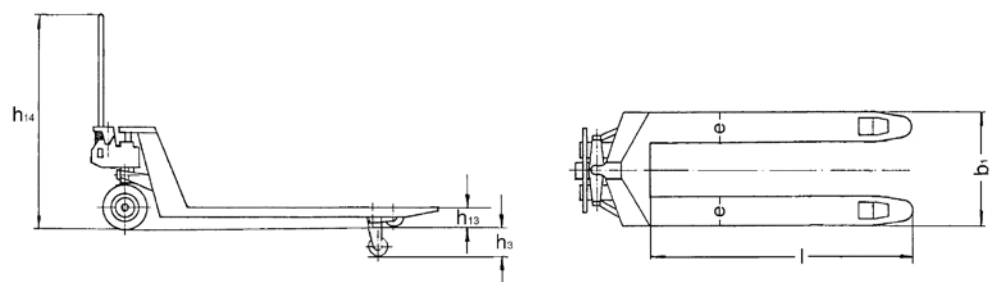
- Ergonomic safety control handle for one-hand operation of lifting, driving and lowering.
- Ergonomic rubber control handle for safe handling.
- Low maintenance high performance hydraulic pump with hard chromium plated piston and pressure relief valve.
- Frame and forks in robust steel construction, adjustable connecting rods, especially hardened axles and the high quality powder coating ensure a long life expectancy.
- Fork lengths from 600 up to 1000 mm for transportation of small loads.
- Steering angle of 105 degree to each side for easy handling in confined spaces.
- Available with tandem (TP) or single rollers (EP).



### Technical data hand pallet truck PROLINE with short forks

Model	HU 25-60 EP	HU 25-80 EP	HU 25-80 TP	HU 25-90 TP	HU 25-100 TP
Art.-No.	40011694	N21225221	N21225450	N21225451	N21225452
Capacity, kg	2500	2500	2500	2500	2500
Weight, kg	59	63	64	67	66
Tyre type <sup>1</sup>	VG/PA	VG/PUR	VG/PUR	VG/PUR	VG/PUR
Steering rollers, mm	200 x 50	200 x 50	200 x 50	200 x 50	200 x 50
Load rollers, mm	82 x 70	80 x 93	80 x 70	80 x 70	80 x 70
Stroke h3, mm	115	115	115	115	115
Height of control handle h14, mm	1200	1230	1230	1230	1230
Fork height lowered h13, mm	85	85	85	85	85
Fork width e, mm	160	160	160	160	160
Fork length l, mm	600	800	800	900	1000
Outside dimension of forks b1, mm	540	540	540	540	540

<sup>1</sup>PA... Polyamide, PUR... Polyurethane, VG... Solid rubber



## Hand pallet truck PROLINE for heavy loads

Capacity 3000 kg

For the professional transportation of heavy loads.

### Features

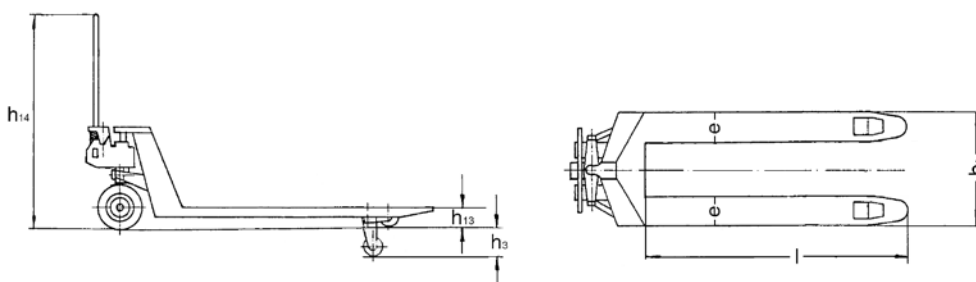
- Ergonomic safety control handle for one-hand operation of lifting, driving and lowering.
- Ergonomic rubber control handle for safe handling.
- Low maintenance high performance hydraulic pump with hard chromium plated piston and pressure relief valve.
- Frame and forks in robust steel construction, adjustable connecting rods, especially hardened axles and the high quality powder coating ensure a long life expectancy.



### Technical data hand pallet truck PROLINE for heavy loads

Model	HU 30-115 TP
Art.-No.	N21230415
Capacity, kg	3000
Weight, kg	73
Tyre type <sup>1</sup>	PUR/PUR
Steering rollers, mm	200 x 50
Load rollers, mm	80 x 70
Stroke h3, mm	115
Height of control handle h14, mm	1230
Fork height lowered h13, mm	85
Fork width e, mm	160
Fork length l, mm	1150
Outside dimension of forks b1, mm	540

<sup>1</sup>PUR... Polyurethane



## Hand pallet truck PROLINE with extended forks

Capacity 2000 - 2500 kg

For the professional transportation of long palletised goods and box pallets under demanding conditions.

### Features

- Ergonomic safety control handle for one-hand operation of lifting, driving and lowering.
- Ergonomic rubber control handle for safe handling.
- Low maintenance high performance hydraulic pump with hard chromium plated piston and pressure relief valve.
- Frame and forks in robust steel construction, adjustable connecting rods, especially hardened axles and the high quality powder coating ensure a long life expectancy.
- Fork lengths from 1300 up to 3000mm for transportation of long and bulky loads.
- Steering angle of 105 degree to each side for easy handling in confined spaces.



Option: Parking brake

## INFO

Driving and parking brake available as option.

### Technical data hand pallet truck PROLINE with extended forks

Model	HU 25-130 TP	HU 20-150 TP	HU 20-180 TP	HU 20-200 TP	HU 20-250 TP
Art.-No.	N21225453	N21225454	N21225455	N21225456	34527202
Capacity, kg	2500	2000	2000	2000	2000
Weight, kg	81	82	92	97	275
Tyre type <sup>1</sup>	VG/PUR	VG/PUR	VG/PUR	VG/PUR	PUR/PUR
Steering rollers, mm	200 x 50	200 x 50	200 x 50	200 x 50	200 x 50
Load rollers, mm	80 x 70	80 x 70	80 x 70	80 x 70	82 x 70
Stroke h3, mm	115	115	115	115	115
Height of control handle h14, mm	1230	1230	1230	1230	1200
Fork height lowered h13, mm	85	85	85	85	85
Fork width e, mm	160	160	160	160	170
Fork length l, mm	1300	1500	1800	2000	2500
Outside dimension of forks b1, mm	540	540	540	540	550

<sup>1</sup>PUR... Polyurethane, VG... Solid rubber Other versions available on request

## Hand pallet truck PROLINE with extended forks and increased capacity

Capacity 3000 - 3500 kg

For the professional transportation of long palletised goods and box pallets under demanding conditions.

### Features

- Ergonomic safety control handle for one-hand operation of lifting, driving and lowering.
- Ergonomic rubber control handle for safe handling.
- Low maintenance high performance hydraulic pump with hard chromium plated piston and pressure relief valve.
- Frame and forks in robust steel construction, adjustable connecting rods, especially hardened axles and the high quality powder coating ensure a long life expectancy.
- Fork lengths from 1500 up to 2000 mm for transportation of long goods.
- Steering angle of 105 degree to each side for easy handling in confined spaces.



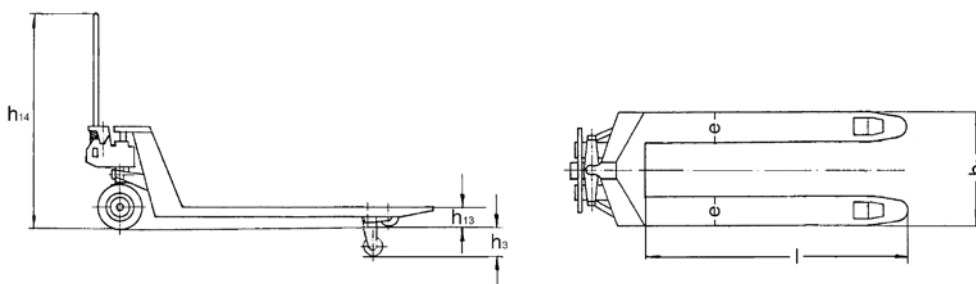
### INFO

With extended forks up to 2000 mm and increased capacity up to 3500 kg.

### Technical data hand pallet truck PROLINE with extended forks and increased capacity

Model	HU 30-150 TP	HU 35-180 TP	HU 35-200 TP
Art.-No.	34527204	34527205	34527206
Capacity, kg	3000	3500	3500
Weight, kg	121	139	148
Tyre type <sup>1</sup>	PUR/PUR	PUR/PUR	PUR/PUR
Steering rollers, mm	200 x 50	200 x 50	200 x 50
Load rollers, mm	82 x 70	82 x 70	82 x 70
Stroke h3, mm	115	115	115
Height of control handle h14, mm	1200	1200	1200
Fork height lowered h13, mm	85	85	85
Fork width e, mm	160	170	170
Fork length l, mm	1500	1800	2000
Outside dimension of forks b1, mm	540	550	550

<sup>1</sup>PUR... Polyurethane





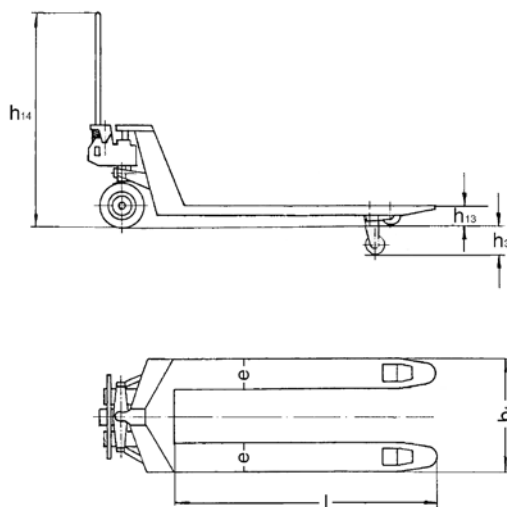
## HU 20-115 QLTP PROLINE Hand pallet truck with quick-lift

Capacity 2000 kg

For quick lifting and professional transportation of palletised goods and box pallets under demanding conditions.

### Features

- Ergonomic safety control handle for one-hand operation of lifting, driving and lowering.
- Ergonomic rubber control handle for safe handling.
- Low maintenance high performance hydraulic pump with hard chromium plated piston and pressure relief valve.
- Quick-lift function for loads up to 200 kg for quick lifting of the load.
- Frame and forks in robust steel construction, adjustable connecting rods, especially hardened axles and the high quality powder coating ensure a long life expectancy.
- Steering angle of 105 degree to each side for easy handling in confined spaces.



### Technical data HU 20-115 QLTP

Model	HU 20-115 QLTP
Art.-No.	N21225458
Capacity, kg	2000
Weight, kg	86
Tyre type <sup>1</sup>	VG/PUR
Steering rollers, mm	200 x 50
Load rollers, mm	82 x 70
Stroke h3, mm	115
Height of control handle h14, mm	1200
Fork height lowered h13, mm	85
Fork width e, mm	160
Fork length l, mm	1150
Outside dimension of forks b1, mm	540

<sup>1</sup>PUR... Polyurethane, VG... Solid rubber

## HU 25-115 FBTP PROLINE Hand pallet truck with driving and parking brake

Capacity 2500 kg

For the professional transportation of palletised goods and box pallets, on ramps, ascending slopes and on lorries.

### Features

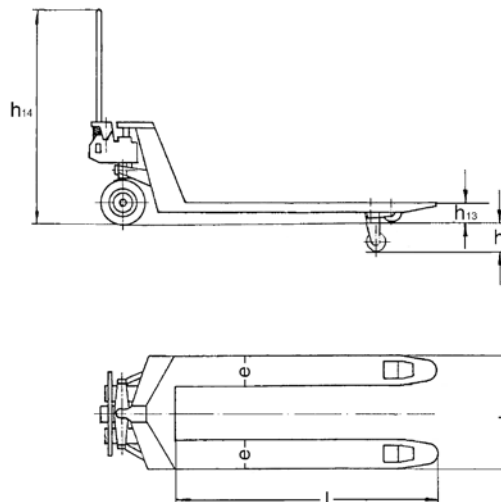
- Ergonomic safety control handle for one-hand operation of lifting, driving and lowering.
- Ergonomic rubber control handle for safe handling.
- Driving and park brake comfortably operated from the control handle.
- Low maintenance high performance hydraulic pump with hard chromium plated piston and pressure relief valve.
- Frame and forks in robust steel construction, adjustable connecting rods, especially hardened axles and the high quality powder coating ensure a long life expectancy.
- Steering angle of 105 degree to each side for easy handling in confined spaces.

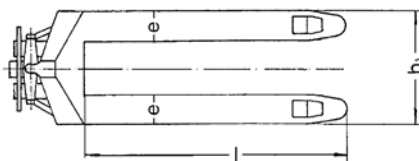
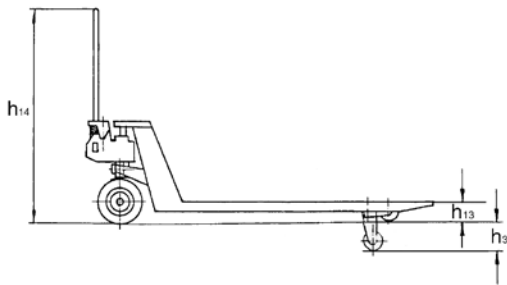


### Technical data 25-115 FBTP

Model	HU 25-115 FBTP
Art.-No.	34527135
Capacity, kg	2500
Weight, kg	86
Tyre type <sup>1</sup>	VG/PUR
Steering rollers, mm	180 x 50
Load rollers, mm	82 x 70
Stroke h3, mm	115
Height of control handle h14, mm	1200
Fork height lowered h13, mm	85
Fork width e, mm	160
Fork length l, mm	1150
Outside dimension of forks b1, mm	540

<sup>1</sup>PUR... Polyurethane, VG... Solid rubber





## HU W-20 SL SILVERLINE Hand pallet truck with weighing system

**Capacity 2000 kg**

For transportation and weighing of palletised goods and box pallets. For simple weighing jobs and a rough calculation of total weights, e.g. when loading lorries.

### Features

- The basic truck is the model Silverline HU 25-115.
- Ergonomic safety control handle for one-hand operation of lifting, driving and lowering.
- Ergonomic rubber control handle for safe handling.
- Measuring range from 0 up to 2000 kg in 5 kg steps.
- Easy to read LCD display.
- Accuracy:
  - 0 - 1000 kg → ± 20 kg
  - 1000 - 2000 kg → ± 40 kg

### Scope of delivery

- 2 x 1.5 V AA batteries  
(sufficient for approx. 3000 weighing operations)

### Technical data HU W-20 SL

Model	HU W 20 SL
Art.-No.	40048616
Capacity, kg	2000
Load center c, mm	600
Weight, kg	76
Tyre type <sup>1</sup>	VG/PUR
Steering rollers D, mm	200 x 50
Load rollers D1, mm	82 x 70
Number of wheels/load rollers	2/4
Stroke h2, mm	115
Lifting height h3, mm	200
Height of control handle h14, mm	1200
Fork height lowered h13, mm	85
Overall length L1, mm	1535
Fork height s, mm	45
Fork width e, mm	160
Fork length l, mm	1150
Outside dimension of forks b1, mm	540
Ground clearance m1, mm	40
Turning circle radius, mm	1330
Ambient temperature	-5 °C up to +40 °C

<sup>1</sup>VG... Solid rubber, PUR... Polyurethane

## HU W-20 S SILVERLINE

### Hand pallet truck

-with weighing system

## HU W-20 SPR SILVERLINE

-with weighing system and printer

Capacity 2000 kg

For transportation and weighing of palletised goods and box pallets

### Features

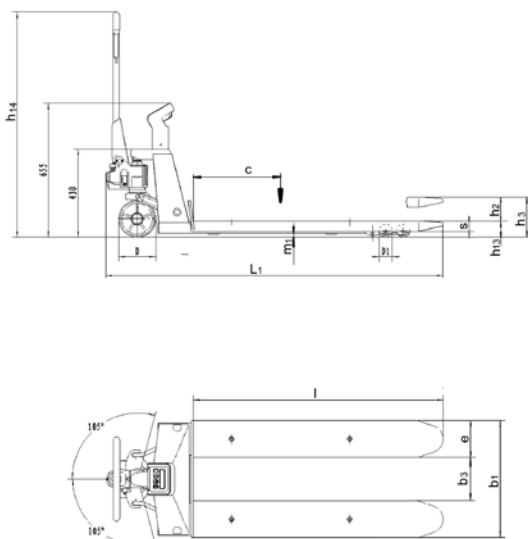
- Ergonomic safety control handle for one-hand operation of lifting, driving and lowering.
- Ergonomic rubber control handle for safe handling.
- Measuring range from 0 up to 2000 kg in 1 kg steps.
- Easy to read LCD display.
- Accuracy  $\pm 0.1\%$  of the end value.
- The readings start at 1.0 kg.
- The system is designed for simple weighing jobs, such as batching or filling processes.
- Low maintenance hydraulic pump with hard chromium plated piston and pressure relief valve.
- Frame and forks in robust steel construction, adjustable connecting rods, especially hardened axles and the high quality powder coating ensure a long life expectancy.
- Steering angle of 105 degree to each side for easy handling in confined spaces.

### Scope of delivery

- 4 x 1.5 V AA batteries  
(sufficient for approx. 3000 weighing operations)



HU W-20 SPR SILVERLINE  
with weighing system and printer



### Technical data HU W-20 S and HU W-20 SPR

Model	HU W 20 S	HU W 20 SPR
Art.-No.	40016431	N21220615
Capacity, kg	2000	2000
Load center c, mm	600	600
Weight, kg	129	131
Tyre type <sup>1</sup>	PUR/PUR	PUR/PUR
Steering rollers D, mm	180 x 50	180 x 50
Load rollers D1, mm	74 x 70	74 x 70
Number of wheels/load rollers	2/4	2/4
Stroke h2, mm	110	110
Lifting height h3, mm	195	195
Height of control handle h14, mm	1210	1210
Fork height lowered h13, mm	85	85
Overall length L1, mm	1580	1580
Fork height s, mm	50	50
Fork width e, mm	180	180
Fork length l, mm	1150	1150
Outside dimension of forks b1, mm	570	570
Inside dimension of forks b3, mm	210	210
Ground clearance m1, mm	35	35
Turning circle radius, mm	1330	1330
Ambient temperature	-10 °C up to +40 °C	-10 °C up to +40 °C

<sup>1</sup>PUR... Polyurethane



**HU HS 10 B**  
**Scissor pallet truck**  
**with manual-hydraulic lift**

Capacity 1000 kg,  
 fork height max. 800 mm

A combination of hand pallet truck and elevating platform for the transport and raising of palletised loads to various departments.

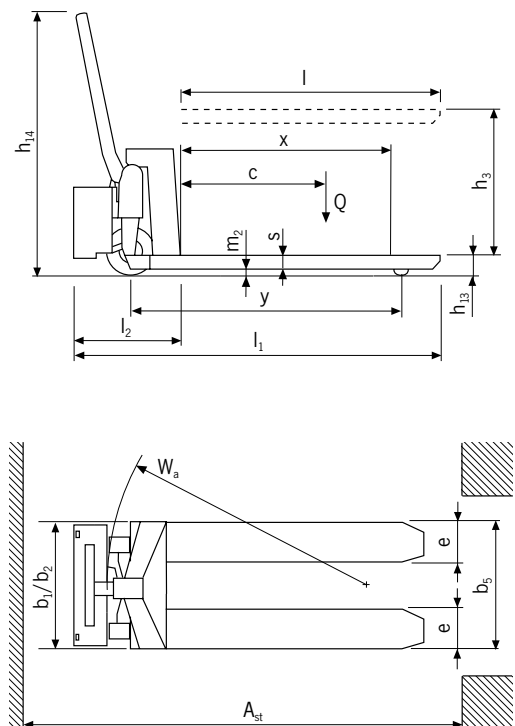
**Features**

- Safety control handle with the functions:  
 Quick-lift - lifting - lowering.
- Lowering speed can be finely metered for sensitive lowering of the load.
- One-stage hydraulic for increased robustness.
- Overload protection by pressure relief valve.
- Safety supports guarantee sure standing when the forks are raised.
- Low noise and smooth running with standard tyres:  
 steer rollers and load rollers – polyurethane.

**Technical data HU HS 10 B**

Model	HU HS 10 B
Art.-No.	N26600020
Capacity Q, kg	1000
Load center c, mm	600
Weight, kg	122
Tyre type <sup>1</sup>	PUR/PUR
Steering rollers, mm	180 x 50
Load rollers, mm	75 x 50
Number of wheels/load rollers	2/2
Stroke h3, mm	715
Height of control handle max. h14, mm	1254
Fork height lowered h13, mm	85
Overall length l1, mm	1725
Overall width b1/b2, mm	575
Fork height s, mm	45
Fork width e, mm	160
Fork length l, mm	1170
Outside dimension of forks b5, mm	540
Ground clearance, wheelbase centre m2, mm	18
Aisle width pallet Ast, mm	1986
Turning circle radius Wa, mm	1564

<sup>1</sup>PUR... Polyurethane



## HU ES 10 B Scissor pallet truck with electric-hydraulic lift

Capacity 1000 kg,  
fork height max. 800 mm

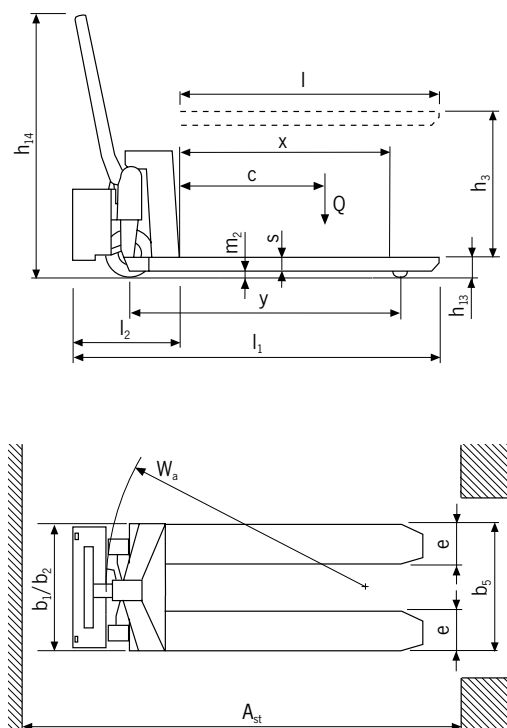
The HU ES 10 B increases the usefulness of the HU HS 10 B by saving operating time for demanding applications with frequent lifting and lowering operations.

### Features

- Ergonomic control button for the hydraulic unit fitted in the handle.
- In case of a battery failure the manual use of lifting and lowering is still guaranteed.
- Quick electric-hydraulic lifting of the load, pressure relief valve protects against overloading.
- Low noise and smooth running due to polyurethane steering and load rollers as standard.
- Additional tilting protection for the load rollers.

### Scope of delivery

- Battery and integrated battery charger



### Technical data HU ES 10 B

Model	HU ES 10 B
Art.-No.	N26900020
Capacity Q, kg	1000
Load center c, mm	600
Weight, kg	152
Tyre type <sup>1</sup>	PUR/PUR
Steering rollers, mm	180 x 50
Load rollers, mm	75 x 50
Number of wheels/load rollers	2/2
Stroke h3, mm	715
Height of control handle max. h14, mm	1254
Fork height lowered h13, mm	85
Overall length l1, mm	1715
Overall width b1/b2, mm	575
Fork height s, mm	45
Fork width e, mm	160
Fork length l, mm	1170
Outside dimension of forks b5, mm	540
Ground clearance, wheelbase centre m2, mm	18
Aisle width pallet Ast, mm	1986
Turning circle radius Wa, mm	1564
Battery charger, V/A	220/6
Battery voltage, capacity K5, V/Ah	12/52

<sup>1</sup>PUR... Polyurethane