



TCU



TCO



Container lifting lug TCO

## TCU and TCO Container lifting lugs

Capacity 32000 - 56000 kg

The lugs serve as flexible attachment points for the transport of containers. Two types are available which can be fastened to either the "top" or to the "bottom" of the container.

These container lifting lugs are offered in a set of 4 pieces.

### TCO

Model TCO is vertically mounted in the hole at the top of the container. Turning the TCO 90°, locks it securely in place.

Transport is done with the use of a spreader beam in conjunction with wire rope, chain or textile slings making sure the load is suspended vertically.

### TCU

Model TCU is laterlay mounted at the bottom fixing hole on the container and has a spring-loaded bolt to prevent an accidental release.

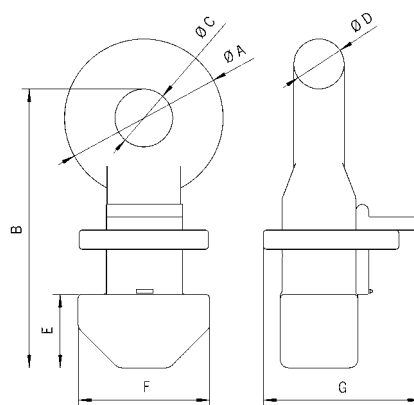
## Technical data TCO and TCU

Model	Art.-No.	Capacity <sup>1</sup> kg	Weight <sup>1</sup> kg	Sling angle from vertical
TCU 32	N53508014	32000	19.5	50°
TCU 40	N53508014	40000	19.5	36°
TCO 56	N53508016	56000	30.1	vertical

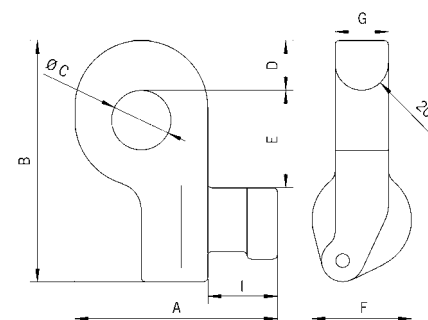
<sup>1</sup>set of 4 pieces

## Dimensions TCO and TCU

Model	TCU 32	TCU 40	TCO 56
A, mm	152	152	123
B, mm	181	181	217
Ø C, mm	45	45	45
D, mm	37	37	39
E, mm	73	73	57
F, mm	75	75	101
G, mm	40	40	121
I, mm	51	51	-



TCO



TCU

## TKB Clamps for cable drums

Capacity 5000 kg

Specifically designed for the transport of cable drums, these clamps are used in pairs together with a two-legged chain sling.

By the spreading of the clamp, it locks inside the drum.

The clamps can be held in place by a locking lever.

Easy handling, light-weight design, and the size of the clamp contribute to a safe transport of all types of cable drums.



## INFO

Various sizes are available on request.  
Please supply dimensions C and D!

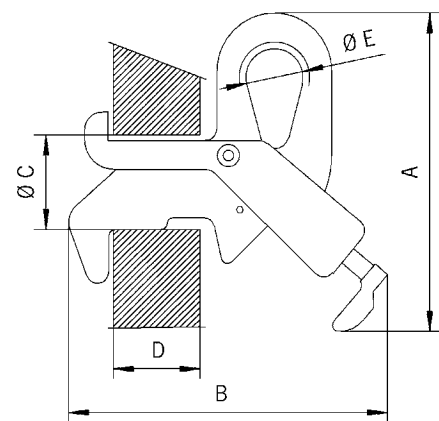
### Technical data TKB

Model	Art.-No.	Capacity <sup>1</sup> kg	Weight kg
TKB	N52210000	5000	11

<sup>1</sup>Per pair

### Dimensions TKB

Model	TKB
A, mm	277
B, mm	277
Ø C, mm	82
D, mm	85
Ø E, mm	50





The picture shows the standard version with tines 3/4 length of the coil

## TCK C-hook

Capacity 500 - 10000 kg

Coils, rolls, rings and similar items are transported safely with the Tigrip C-hooks.

Tine length and usable height with the most frequently encountered coil sizes are listed in the table below.

Other working loads, measurements, and models, such as C-hooks with automatic balancing device, are available on request.

### Technical data TCK

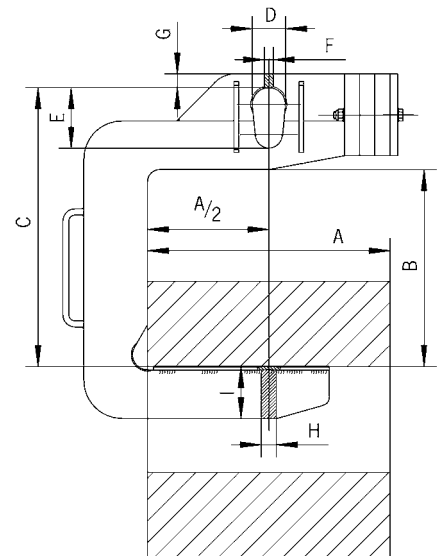
Model	Art.-No.	Capacity kg	Weight kg
TCK 0,5/300	N53507801	500	21
TCK 0,5/500	N53507802	500	30
TCK 0,5/800	N53507803	500	46
TCK 1,0/300	N53507804	1000	28
TCK 1,0/500	N53507805	1000	40
TCK 1,0/800	N53507806	1000	95
TCK 2,0/300	N53507807	2000	45
TCK 2,0/500	N53507808	2000	90
TCK 2,0/800	N53507809	2000	140
TCK 2,0/1000	N53507810	2000	180
TCK 3,0/300	N53507811	3000	68
TCK 3,0/500	N53507812	3000	127
TCK 3,0/800	N53507813	3000	165
TCK 3,0/1000	N53507814	3000	215
TCK 5,0/500	N53507815	5000	184
TCK 5,0/800	N53507816	5000	238
TCK 5,0/1000	N53507817	5000	286
TCK 5,0/1250	N53507818	5000	364
TCK 7,5/800	N53507819	7500	390
TCK 7,5/1000	N53507820	7500	520
TCK 7,5/1250	N53507821	7500	650
TCK 7,5/1500	N53507822	7500	767
TCK 10,0/1000	N53507823	10000	772
TCK 10,0/1250	N53507824	10000	810
TCK 10,0/1500	N53507825	10000	980

Dimensions TCK

Model	TCK 0,5/300	TCK 0,5/500	TCK 0,5/800	TCK 1,0/300	TCK 1,0/500	TCK 1,0/800	TCK 2,0/300	TCK 2,0/500	TCK 2,0/800	TCK 2,0/1000
Coil width A, mm	300	500	800	300	500	800	300	500	800	1000
Usable height B, mm	400	400	400	450	450	450	500	500	500	500
C, mm	570	580	580	620	630	630	700	700	720	720
D, mm	60	60	60	60	60	60	75	75	75	75
E, mm	120	120	120	120	120	120	150	150	150	150
F, mm	20	20	25	25	20	30	25	30	30	20
G, mm	25	23	23	23	23	23	38	38	38	35
H, mm	20	20	25	20	25	30	25	30	30	40
I, mm	50	65	70	70	80	90	90	110	125	125

Model	TCK 3,0/300	TCK 3,0/500	TCK 3,0/800	TCK 3,0/1000	TCK 5,0/500	TCK 5,0/800	TCK 5,0/1000	TCK 5,0/1250	TCK 7,5/800	TCK 7,5/1000
Coil width A, mm	300	500	800	1000	500	800	1000	1250	800	1000
Usable height B, mm	500	500	500	500	550	550	550	550	600	600
C, mm	700	700	720	720	800	800	820	820	900	900
D, mm	75	75	75	75	100	100	100	100	110	110
E, mm	150	150	150	150	200	200	200	200	220	220
F, mm	30	20	25	20	25	30	30	30	35	35
G, mm	38	40	40	40	45	45	45	45	50	50
H, mm	30	30	40	40	40	50	50	50	50	60
I, mm	105	125	140	155	145	160	180	200	200	200

Model	TCK 7,5/1250	TCK 7,5/1500	TCK 10,0/1000	TCK 10,0/1250	TCK 10,0/1500
Coil width A, mm	1250	1500	1000	1250	1500
Usable height B, mm	600	600	650	650	650
C, mm	900	920	980	1000	1000
D, mm	110	110	130	130	130
E, mm	220	220	250	250	250
F, mm	35	35	40	45	45
G, mm	45	50	50	55	55
H, mm	60	70	70	70	80
I, mm	220	220	220	240	240



TCK specials

with 4/4 length of tines and safety nose on request



## TCS Coil hook

Capacity 500 - 3000 kg

The TCS coil hook is an universal C-Hook. Due to its tipping feature, it can lift or lower the coil, whether the coil is lying flat or is in an upright position. With this tipping device, the coil is tipped safely through 90°.

The slow and safe movement of the tipping device ensures a continuous flowing movement when lifting or lowering the coil. At the same time, the tipping device serves the purpose of preventing accidental slipping of the load during transport.

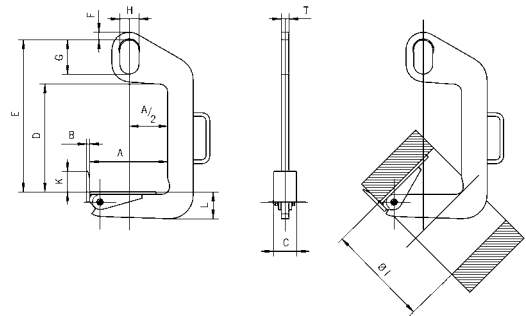


## INFO

Other sizes and models available on request.

## Technical data TCS

Model	Art.-No.	Capacity kg	Weight kg
TCS 0,5/120	N53507850	500	6.9
TCS 0,5/200	N53507851	500	9.6
TCS 1,0/200	N53507852	1000	15.4
TCS 1,0/300	N53507853	1000	20.0
TCS 2,0/200	N53507854	2000	24.8
TCS 2,0/300	N53507855	2000	33.4
TCS 3,0/200	N53507856	3000	45.0
TCS 3,0/300	N53507857	3000	51.0



## Dimensions TCS

Model	TCS 0,5/120	TCS 0,5/200	TCS 1,0/200	TCS 1,0/300	TCS 2,0/200	TCS 2,0/300	TCS 3,0/200	TCS 3,0/300
Coil width A min, mm	50	100	100	200	100	200	100	200
Coil width A max., mm	120	200	200	300	200	300	200	300
B, mm	10	10	10	10	12	12	15	15
C, mm	60	60	80	80	90	90	100	100
D, mm	330	330	460	460	420	420	610	610
E, mm	470	470	600	600	600	600	820	820
F, mm	20	20	20	20	30	30	40	40
G, mm	110	110	110	110	135	135	160	160
H, mm	60	60	60	60	75	75	90	90
K, mm	50	50	60	60	80	80	100	100
L, mm	45	50	65	70	85	95	100	110
T, mm	20	20	25	25	30	30	35	35
Ø I, mm	220	300	300	400	300	400	300	400